

DIECI



AGRI MAX GD

50.8 | 60.9 | 65.8 | 75.10



dieci.com

PERFORMANCE

Vehicle model	AGRI MAX 50.8 VS EVO2 - GD	AGRI MAX 65.8 VS EVO2 - GD	AGRI MAX 60.9 VS EVO2 - GD	AGRI MAX 75.10 - GD
Maximum capacity	5000 kg (11023 lb)	6500 kg (14330 lb)	6000 kg (13228 lb)	7500 kg (16535 lb)
Maximum lifting height	7,70 m (25,3 ft)	7,70 m (25,3 ft)	8,60 m (28,2 ft)	9,65 m (31,7 ft)
Maximum horizontal extension	4,20 m (13,8 ft)	4,20 m (13,8 ft)	4,90 m (16,1 ft)	5,40 m (17,7 ft)
Fork swiveling angle	144°	144°	144°	134°
Pull-out force	5700 daN (12814 lbf)	5700 daN (12814 lbf)	5700 daN (12814 lbf)	10600 daN (23830 lbf)
Towing force	7300 daN (16411 lbf)	7300 daN (16411 lbf)	7300 daN (16411 lbf)	8360 daN (18794 lbf)
Maximum climb angle	40%	40%	40%	40%
Unladen weight	10560 kg (23281 lb)	11300 kg (24912 lb)	11500 kg (25353 lb)	12800 kg (28219 lb)
Max speed (referred to wheels with maximum permitted diameter)	40 km/h (24,9 mph)	40 km/h (24,9 mph)	40 km/h (24,9 mph)	40 km/h (24,9 mph)

BOOM

Vehicle model	AGRI MAX 50.8 VS EVO2 - GD	AGRI MAX 65.8 VS EVO2 - GD	AGRI MAX 60.9 VS EVO2 - GD	AGRI MAX 75.10 - GD
Lifting	8,3 s	10,5 s	11,0 s	15,1 s
Descent	4,4 s	6,6 s	6,9 s	9,9 s
Extension	5,5 s	5,5 s	6,4 s	11,4 s
Retraction	2,4 s	2,4 s	2,8 s	5,1 s
Forward swiveling	2,8 s	2,8 s	2,8 s	7,5 s
Reverse swiveling	1,9 s	1,9 s	1,9 s	3,3 s

ENGINE

Vehicle model	AGRI MAX 50.8 VS EVO2 - GD	AGRI MAX 65.8 VS EVO2 - GD	AGRI MAX 60.9 VS EVO2 - GD	AGRI MAX 75.10 - GD
Brand	FPT	FPT	FPT	FPT
Nominal power	103 kW (138 HP)	103 kW (138 HP)	103 kW (138 HP)	103 kW (138 HP)
@rpm	2200 rpm	2200 rpm	2200 rpm	2200 rpm
Peak power	114 kW (153 HP)	114 kW (153 HP)	114 kW (153 HP)	114 kW (153 HP)
@rpm	1800 rpm	1800 rpm	1800 rpm	1900 rpm
Operation	4-stroke	4-stroke	4-stroke	4-stroke
Injection	Electronic, Common Rail	Electronic, Common Rail	Electronic, Common Rail	4-Stroke Electronic Injection, Common Rail
Number and arrangement of cylinders	4, Vertical in line	4, Vertical in line	4, Vertical in line	4, Vertical in line
Displacement	4485 cm ³ (274 in ³)	4485 cm ³ (274 in ³)	4485 cm ³ (274 in ³)	4485 cm ³ (274 in ³)
Consumption	205,9 g/kWh (338,71 lb/Hp h)	205,9 g/kWh (338,71 lb/Hp h)	205,9 g/kWh (338,71 lb/Hp h)	280 g/kWh (460,6 lb/Hp h)
@rpm	1800 rpm	1800 rpm	1800 rpm	1900 rpm
Emission standard	Stage IV/Tier 4f	Stage IV/Tier 4f	Stage IV/Tier 4f	Stage V/Tier 4f
Exhaust gas treatment	DOC+SCR	DOC+SCR	DOC+SCR	(DOC + SCRoF)
Cooling system	Liquid	Liquid	Liquid	Liquid
Intake	16-valve turbo compressor, after-cooler	16-valve turbo compressor, after-cooler	16-valve turbo compressor, after-cooler	16-valve turbocharger with after-cooler

DIFFERENTIAL AXLES

Vehicle model	AGRI MAX 50.8 VS EVO2 - GD	AGRI MAX 65.8 VS EVO2 - GD	AGRI MAX 60.9 VS EVO2 - GD	AGRI MAX 75.10 - GD
Type of axles	2 steering, with 4 epicycloidal reduction gears	2 steering, with 4 epicycloidal reduction gears	2 steering, with 4 epicycloidal reduction gears	2 steering, with 4 epicycloidal reduction gears
Type of steering	4 wheels / transversal / 2 wheels	4 wheels / transversal / 2 wheels	4 wheels / transversal / 2 wheels	4 wheels / transversal / 2 wheels
Front axle	Rigid (Levelling upon request)	Rigid (Levelling upon request)	Rigid (Levelling upon request)	With +/- 7° transverse leveling
Rear axle	Swinging	Swinging	Swinging	Swinging
Service braking	Oil bath with servo brake on front and rear axle with double hydraulic system	Oil bath with servo brake on front and rear axle with double hydraulic system	Oil bath with servo brake on front and rear axle with double hydraulic system	Oil bath with servo brake on front and rear axle with double hydraulic system
Parking braking	Negative actuation with electronic control	Negative actuation with electronic control	Negative actuation with electronic control	Negative actuation with electrical control

HYDRAULIC SYSTEM

Vehicle model	AGRI MAX 50.8 VS EVO2 - GD	AGRI MAX 65.8 VS EVO2 - GD	AGRI MAX 60.9 VS EVO2 - GD	AGRI MAX 75.10 - GD
Hydraulic pump type	Piston pump with variable flow rate for power steering and movements Gear pumps for Fan Drive with automatic fan reversal.	Piston pump with variable flow rate for power steering and movements Gear pumps for Fan Drive with automatic fan reversal.	Piston pump with variable flow rate for power steering and movements Gear pumps for Fan Drive with automatic fan reversal.	Piston pump with variable flow rate for power steering and movements. Gear pump for Fan Drive.
Hydraulic pump capacity	247 L/min (65,3 gal/min)	247 L/min (65,3 gal/min)	247 L/min (65,3 gal/min)	160 L/min (42,3 gal/min)
Max. operating pressure	26,0 MPa (3771 psi)	26,0 MPa (3771 psi)	26,0 MPa (3771 psi)	26,0 MPa (3771 psi)
Distributor control	4in1 proportional Joystick with FNR	4in1 proportional Joystick with FNR	4in1 proportional Joystick with FNR	Proportional 4in1 Joystick

REFUELING

Vehicle model	AGRI MAX 50.8 VS EVO2 - GD	AGRI MAX 65.8 VS EVO2 - GD	AGRI MAX 60.9 VS EVO2 - GD	AGRI MAX 75.10 - GD
Hydraulic system (total)	175,0 L (46,23 gal)	175,0 L (46,23 gal)	175,0 L (46,23 gal)	175,0 L (46,23 gal)
Fuel tank	125,0 L (33,02 gal)	125,0 L (33,02 gal)	125,0 L (33,02 gal)	125,0 L (33,02 gal)
AdBlue tank	27,0 L (7,13 gal)	27,0 L (7,13 gal)	27,0 L (7,13 gal)	27,0 L (7,13 gal)

TRANSMISSION

Vehicle model	AGRI MAX 50.8 VS EVO2 - GD	AGRI MAX 65.8 VS EVO2 - GD	AGRI MAX 60.9 VS EVO2 - GD	AGRI MAX 75.10 - GD
Transmission type	Hydrostatic single speed Vario System EVO2 with electronic control	Hydrostatic single speed Vario System EVO2 with electronic control	Hydrostatic single speed Vario System EVO2 with electronic control	Hydrostatic with variable displacement pump
Hydraulic motor	2 Hydraulic motors with continuous automatic adjustment	2 Hydraulic motors with continuous automatic adjustment	2 Hydraulic motors with continuous automatic adjustment	Hydrostatic with continuous automatic adjustment
Reversal	With electronic control operated with vehicle in motion	With electronic control operated with vehicle in motion	With electronic control operated with vehicle in motion	Electro-Hydraulic
Inching	With electronic pedal for controlled forward movement	With electronic pedal for controlled forward movement	With electronic pedal for controlled forward movement	With hydraulic pedal for controlled forward movement

TOWING CAPACITY (upon request)

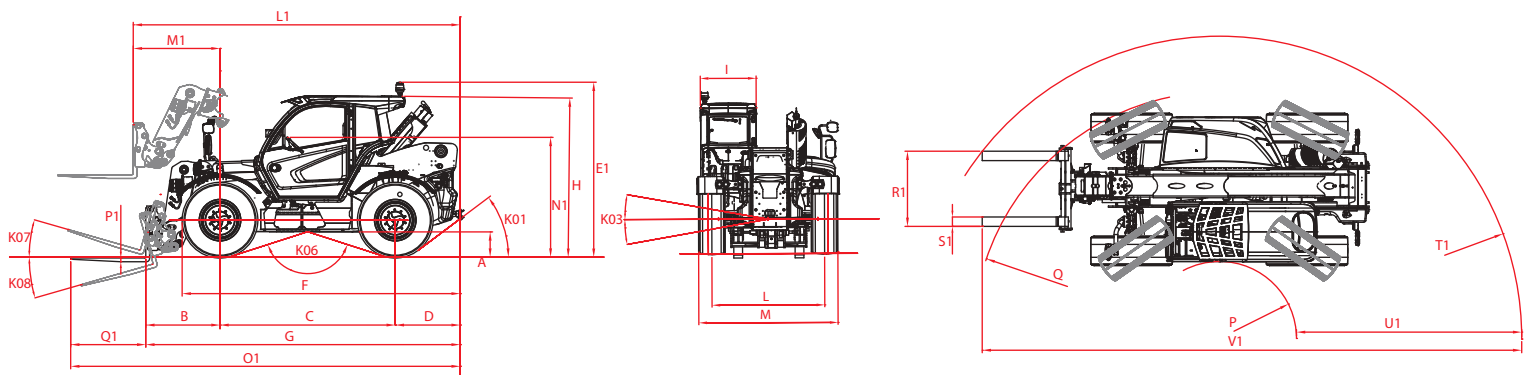
Vehicle model	AGRI MAX 50.8 VS EVO2 - GD	AGRI MAX 65.8 VS EVO2 - GD	AGRI MAX 60.9 VS EVO2 - GD	AGRI MAX 75.10 - GD
Unbraked trailer	3500 kg (7716 lb)	3500 kg (7716 lb)	3500 kg (7716 lb)	-
Inertia braking	8000 kg (17637 lb)	8000 kg (17637 lb)	8000 kg (17637 lb)	-
Mechanical braking	6000 kg (13228 lb)	6000 kg (13228 lb)	6000 kg (13228 lb)	-
Hydraulic/pneumatic braking	20000 kg (44092 lb)	20000 kg (44092 lb)	20000 kg (44092 lb)	-

TIRES

Vehicle model	AGRI MAX 50.8 VS EVO2 - GD	AGRI MAX 65.8 VS EVO2 - GD	AGRI MAX 60.9 VS EVO2 - GD	AGRI MAX 75.10 - GD
Standard tires	18-22.5"	18-22.5"	18-22.5"	18x22.5" - 445/70R22.5
Optional tires	18 R22.5; 500-70 R24 (19,5 LR024)	18 R22.5; 500-70 R24 (19,5 LR024)	18 R22.5; 500-70 R24 (19,5 LR024)	-

DIMENSIONS

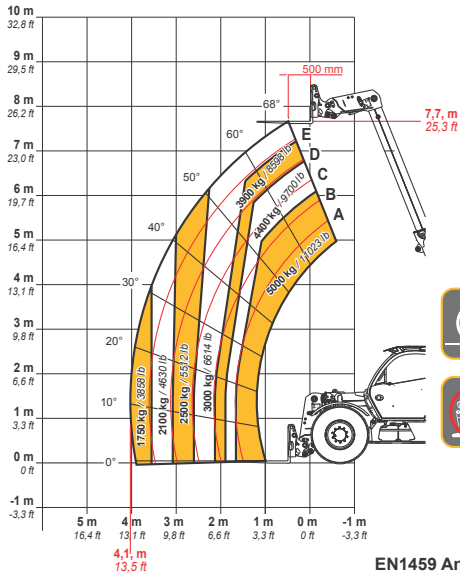
Vehicle model	AGRI MAX 50.8 VS EVO2 - GD	AGRI MAX 65.8 VS EVO2 - GD	AGRI MAX 60.9 VS EVO2 - GD	AGRI MAX 75.10 - GD
A	400 mm (15,7 in)	400 mm (15,7 in)	400 mm (15,7 in)	390 mm (15,4 in)
B	1186 mm (46,7 in)	1186 mm (46,7 in)	1536 mm (60,5 in)	1660 mm (65,4 in)
C	2800 mm (110,2 in)	2800 mm (110,2 in)	2800 mm (110,2 in)	2950 mm (116,1 in)
D	1037 mm (40,8 in)	1037 mm (40,8 in)	1037 mm (40,8 in)	1445 mm (56,9 in)
E1	2800 mm (110,2 in)	2800 mm (110,2 in)	2800 mm (110,2 in)	2900 mm (114,2 in)
F	4442 mm (174,9 in)	4442 mm (174,9 in)	4442 mm (174,9 in)	4990 mm (196,5 in)
G	5023 mm (197,8 in)	5023 mm (197,8 in)	5373 mm (211,5 in)	5910 mm (232,7 in)
H	2545 mm (100,2 in)	2545 mm (100,2 in)	2545 mm (100,2 in)	2640 mm (103,9 in)
I	960 mm (37,8 in)	960 mm (37,8 in)	960 mm (37,8 in)	960 mm (37,8 in)
K01	37°	37°	37°	25°
K03	10°	10°	10°	10°
K06	144°	144°	144°	145°
K07	16°	16°	16°	13°
K08	131°	131°	131°	113°
L	1930 mm (76 in)	1930 mm (76 in)	1930 mm (76 in)	1930 mm (76 in)
L1	5223 mm (205,6 in)	5223 mm (205,6 in)	5561 mm (218,9 in)	6275 mm (247 in)
M	2375 mm (93,5 in)	2375 mm (93,5 in)	2390 mm (94,1 in)	2390 mm (94,1 in)
M1	1386 mm (54,6 in)	1386 mm (54,6 in)	1724 mm (67,9 in)	1880 mm (74 in)
N1	1910 mm (75,2 in)	1910 mm (75,2 in)	1910 mm (75,2 in)	-
O1	6223 mm (245 in)	6223 mm (245 in)	6573 mm (258,8 in)	7260 mm (285,8 in)
P	1229 mm (48,4 in)	1229 mm (48,4 in)	1229 mm (48,4 in)	1325 mm (52,2 in)
P1	60 mm (2,4 in)	60 mm (2,4 in)	60 mm (2,4 in)	80 mm (3,1 in)
Q	3933 mm (154,8 in)	3933 mm (154,8 in)	3933 mm (154,8 in)	4035 mm (158,9 in)
Q1	1200 mm (47,2 in)	1200 mm (47,2 in)	1200 mm (47,2 in)	1200 mm (47,2 in)
R1	1200 mm (47,2 in)	1200 mm (47,2 in)	1200 mm (47,2 in)	1230 mm (48,4 in)
S1	150 mm (5,9 in)	150 mm (5,9 in)	150 mm (5,9 in)	200 mm (7,9 in)
T1	4824 mm (189,9 in)	4824 mm (189,9 in)	5104 mm (200,9 in)	5330 mm (209,8 in)
U1	3596 mm (141,6 in)	3596 mm (141,6 in)	3875 mm (152,6 in)	4000 mm (157,5 in)
V1	8613 mm (339,1 in)	8613 mm (339,1 in)	-	9665 mm (380,5 in)



MAX
5000 kg / 11023 lb



DOC10000866



EN1459 Annex-B

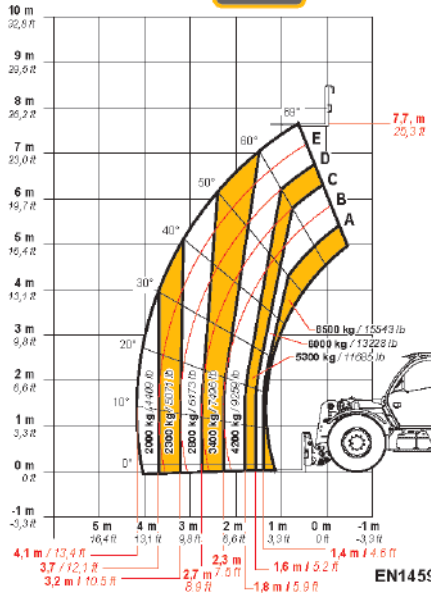


50.8

MAX
6500 kg / 14330 lb



DOC10000946



EN1459-1 Annex-B

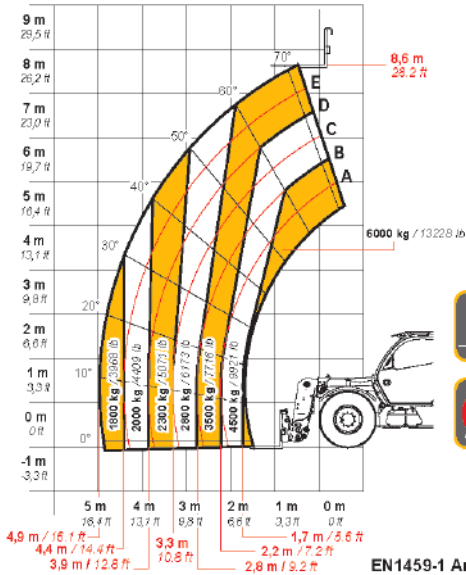


65.8

MAX
6000 kg / 13228 lb



DOC10000948



EN1459-1 Annex-B

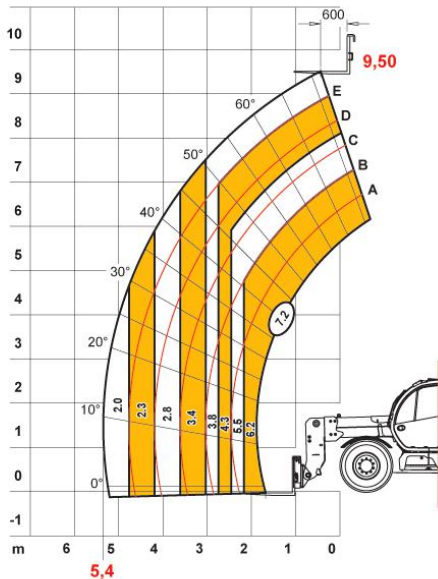


60.9

MAX 7,2 t



DOC10000068



EN1459

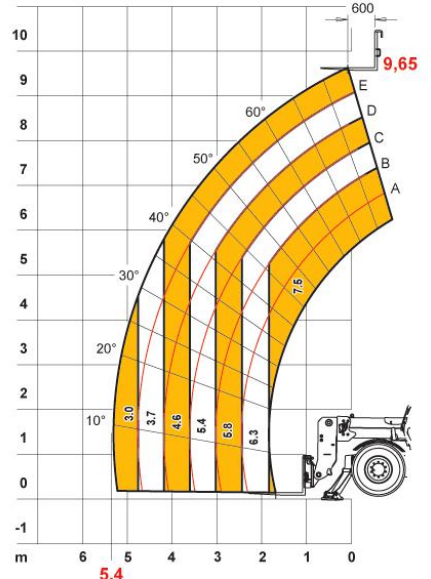


75.10

MAX 7,5 t



DOC10000069



EN1459



75.10